



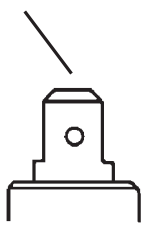
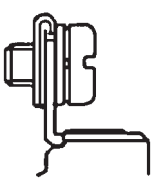
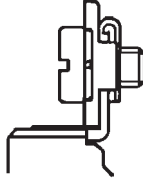
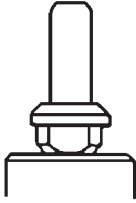


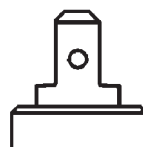
Temperature Switches

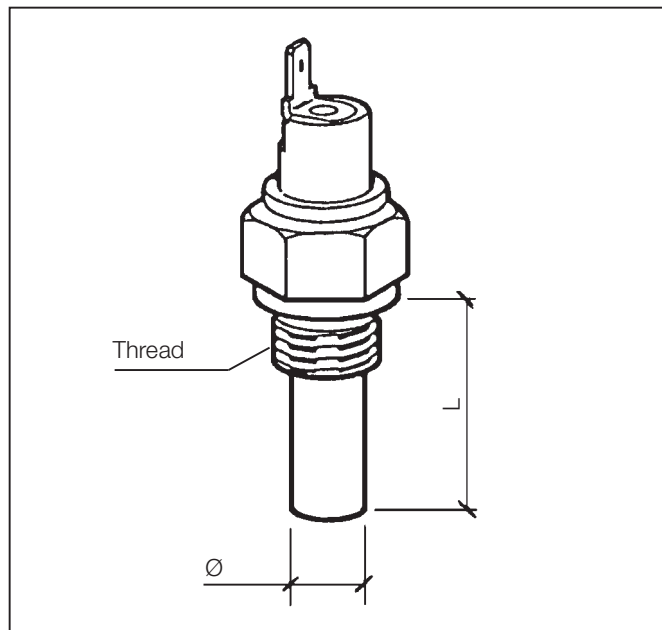
2.5.1 Temperature Switch, Single-Pole,
Common Ground

2.5.2 Temperature Switch, Dual-Pole,
Insulated Return

2.5.1 Temperature Switches | **Temperature Switch, Single-Pole, Common Ground**

Type of connection

A	B	C	D
<p>6.3 x 0.8 mm</p> 	 <p>M4</p>	<p>With cable shoe holder</p>  <p>M4</p>	<p>Ø 4 mm</p> 
E	F	G	
<p>Hexagonal nut</p>  <p>M4</p>	<p>Ø 6.3 x 0.8 mm</p> 	<p>4.8 x 0.8 mm</p> 	



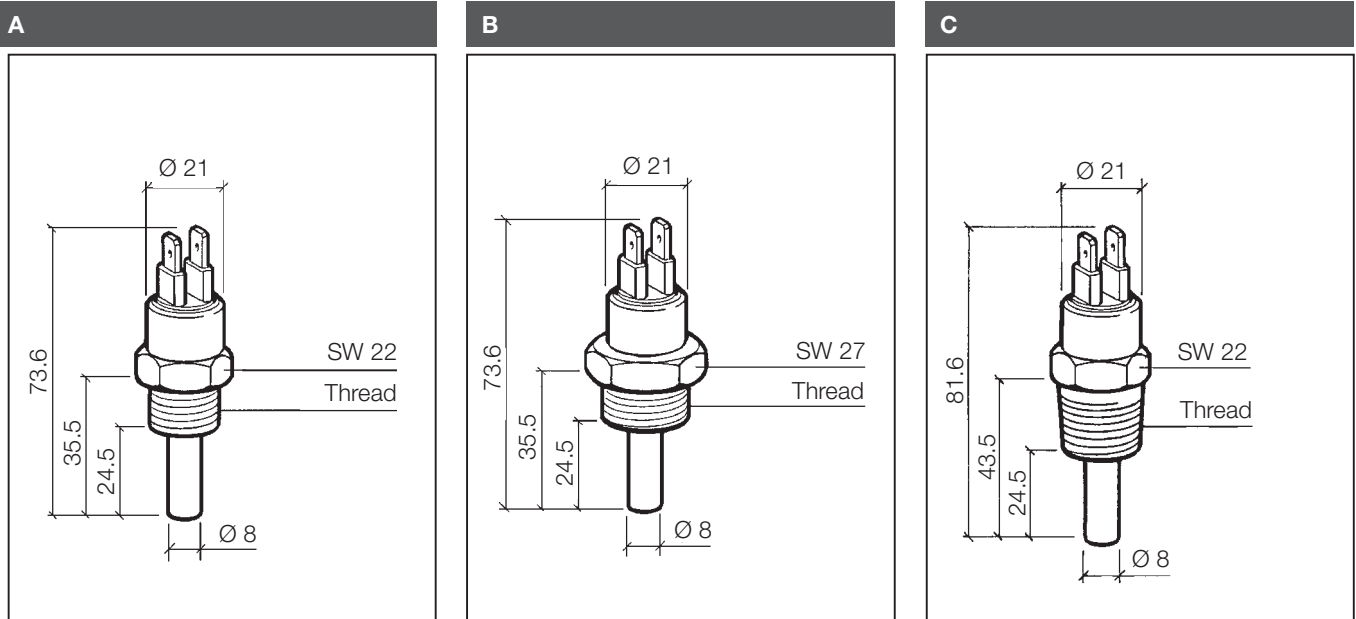
Part Number	Switch-on point [+ °C]	Thread	T max.	Type	L [mm]	Ø [mm]
			[°C]			
232-011-020-022E	16 ± 3 (normally closed, NC)	M14 x 1.5	120	D	29	10
232-011-020-006E	25 ± 3 (normally closed, NC)	M14 x 1.5	120	D	29	10
232-011-017-141D	28 ± 3 (normally closed, NC)	M14 x 1.5	120	A	29	9.7
232-011-017-129D	35 ± 3	M14 x 1.5	120	A	29 ± 0.2	10 ^{-0.5}
232-011-005-019D	96 ± 3	1/8" - 27 Dryseal NPFT	120	E	33 ± 0.5	12 ± 0.3
232-011-017-148D	35 ± 3	M14 x 1.5	120	A	29	10
232-011-017-087D	40 ± 3	M14 x 1.5	120	D	29	10
232-011-017-038D	55 ± 3	M14 x 1.5	120	A	29	10
232-011-017-040D	70 ± 3	M14 x 1.5	120	A	29	10
232-011-017-078D	80 ± 3	M14 x 1.5 tapered, short	120	A	29	10
232-011-017-017D	85 ± 3	M14 x 1.5	120	A	29	10
232-011-005-003D	90 ± 3	M14 x 1.5	120	E	38.5	6.9
232-011-017-013D	90 ± 3	M10 x 1.5 tapered, short	120	A	29	10
232-011-017-033D	92 ± 3	M14 x 1.5	120	A	29	10
232-011-017-147D	94 ± 3	M14 x 1.5	120	D	29	10
232-011-017-016D	95 ± 3	M14 x 1.5	120	A	29	10
232-011-017-039D	95 ± 3	1/2" - 14 NPTF	120	A	29	10
232-011-017-080D	97 ± 3	M14 x 1.5	120	A	29	10
232-011-017-099D*	98 ± 3	5/8" - 18 UNF-2A	120	A	29	10
232-011-017-034D	100 ± 3	M14 x 1.5	160	A	29	10
232-011-017-058D*	102 ± 6	M14 x 1.5	120	C	29	10
232-011-017-135D	102 ± 3	M14 x 1.5	150	D	29 ± 0.2	9 ± 0.2
232-011-017-131D*	103 ± 3	1/2" - 14 NPTF	120	A	29	10
232-011-017-139D	103 ± 3	3/8" - 18 NPTF	120	A	29	10
232-011-017-037D	105 ± 3	M14 x 1.5	120	A	29	10
232-011-017-041D	105 ± 3	1/2" - 14 NPTF	120	A	29	10
232-011-017-145D*	105 ± 3	3/8" - 18 NPTF	120	G	29	10
232-011-017-010D	110 ± 3	M14 x 1.5	160	A	29	10
232-011-017-076D	115 ± 3	M14 x 1.5	130	A	29	10
232-011-017-005D	120 ± 3	1/2" - 14 NPTF	130	B	29	10
232-011-017-118D	120 ± 3	3/8" - BSPF medium	130	A	29	10
232-011-017-032D	120 ± 3	M14 x 1.5	130	A	29	10
232-011-017-118D	120 ± 3	3/8" - BSPF medium	130	A	29	10
232-011-017-143D	120 ± 3.3	3/4" - 16 UNF-2A	150	A	27.1 ± 0.2	9.7 ± 0.2
232-011-017-103D	130 ± 3	M14 x 1.5	150	A	29	10
232-011-005-004D	140 ± 10	M14 x 1.5	160	A	29	10
232-011-017-004D	140 ± 10	M14 x 1.5	160	A	29	10
232-011-005-017D	150 ± 5	M10 x 1.5	200	E	38.5	6.9
232-011-005-027D	150 ± 5	M10 x 1.5	200	F	38.5	6.9

Part Number	Switch-on point [+ °C]	Thread	T max.	Type	L [mm]	Ø [mm]
			[°C]			
232-011-005-004D	170 ± 5	M10 x 1.5	220	E	38.5	6.9
232-011-005-028D	170 ± 5	M10 x 1.5	220	F	38.5	6.9
232-011-005-030D	185 ± 5	M10 x 1.5	230	F	38.5	6.9
232-011-019-003D	195 ⁺¹⁰	M10 x 1.5	250	E	38.5	6.9
*Supplied on request – limited availability						

Technical data	
Switching capacity	1.2 W to 3 W, non-inductive
For monitoring various fluids	
Rated voltage	6–24 V
Contact type	Normally open
Switch-off point	Max. 5 °C below switch-on point
Contacting mode	Slow-acting

2.5.2 Temperature Switches | Temperature Switch, Dual-Pole, Insulated Return

Design



Part Number	Switch-on point [+ °C]	Switch-off point [+ °C]	Thread	Design
232-036-002-014D*	35 ± 3 (normally closed, NC)		M14 x 1.5	
232-036-005-019C*	35 ± 4 (normally closed, NC)		M14 x 1.5	
X10-232-001-001	64 ± 3	60 ± 3	M14 x 1.5	A
X10-232-001-002	82 ± 3	74 ± 3	M18 x 1.5	A
X10-232-001-003	86 ± 3	81 ± 3	M18 x 1.5	A
X10-232-001-004	92 ± 3	85 ± 3	M18 x 1.5	A
X10-232-001-005	96 ± 3	92 ± 3	M18 x 1.5	A
X10-232-001-006	96 ± 3	91 ± 3	1/2" - 14 NPTF	C
X10-232-001-007	96 ± 3	92 ± 3	M14 x 1.5	A
X10-232-001-008	96 ± 3	92 ± 3	M22 x 1.5	B
X10-232-001-009	100 ± 3	95 ± 3	M18 x 1.5	A
X10-232-001-010	105 ± 3	100 ± 3	M18 x 1.5	A

*Supplied on request – limited availability

Technical data	
Switching capacity:	100 W
For monitoring various fluids	
Operating temperature	Max. 110 °C
Rated voltage	6–24 V
Switch-on point	Normally open Contact closes with rising temperature
Switch-off point	Max. 5 °C below switch-on point
2-way blade connector	A 6.3 x 0.8 mm, DIN 46244