



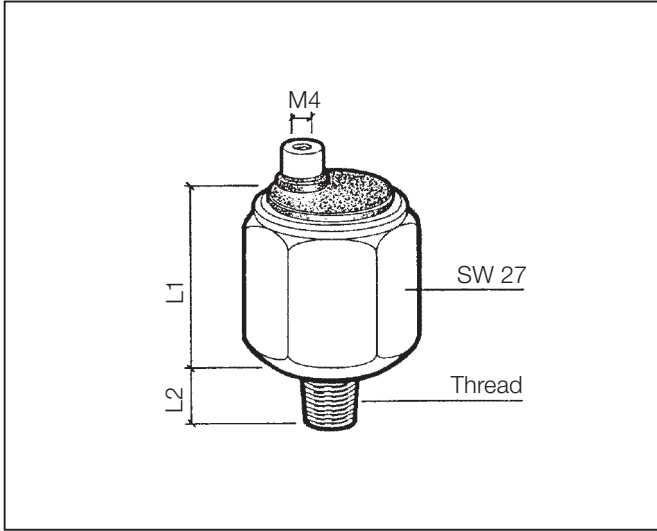
# Pressure Switches

2.3.1 Pressure Switch, Single-Pole,  
Common Ground

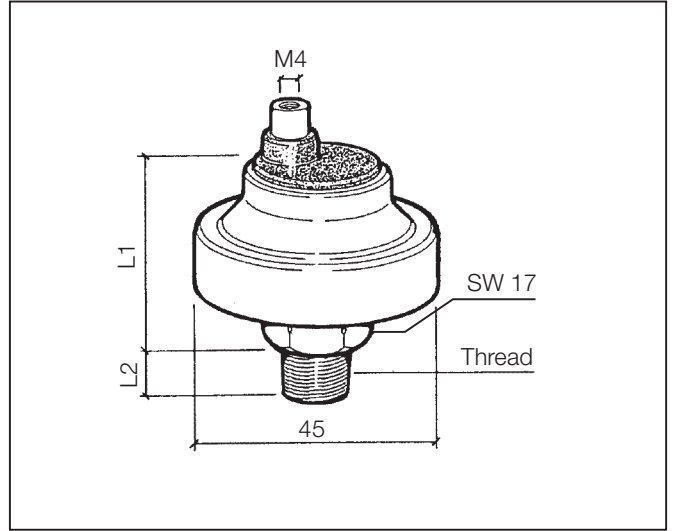
2.3.2 Pressure Switch, Insulated Return

2.3.1 Pressure Switches | **Pressure Switch, Single-Pole, Common Ground**

**Design 1**



**Design 2**



**Type of connection**

**A**

Single-Pole,  
common ground

Screw  
M4 x 5

**B**

Single-Pole,  
common ground

Screw  
M4 x 5

6.3 x 0.8 mm

**C**

Single-Pole,  
common ground

6.3 x 0.8 mm  
Riveted

Part Number	Switch point		Thread	Dimension		Design / Type	Measuring range	bar
	[bar]			L1 [mm]	L2 [mm]			
230-112-005-004C	0.3 ± 0.3	SF	M10 x 1 tapered, short	26	10	1B	12	60
230-112-001-004C	0.4 ± 0.3	SS	M10 x 1 tapered, short	26	11	1A <sup>2</sup>	12	30
230-113-001-004C	0.4 ± 0.2	SF	M10 x 1 tapered, short	39	11	2A <sup>1</sup>	12	30
230-112-003-015C	0.5 ± 0.1	SF	M10 x 1 tapered, short	26	11	1A <sup>1</sup>	12	30
230-112-005-005C	0.8 ± 0.2	SF	M10 x 1 tapered, short	26	10	1B	12	30
230-112-001-015C	0.9 ± 0.15	OF	M10 x 1 tapered, short	26	11	1A <sup>2</sup>	12	30
230-112-003-022C	0.9 ± 0.15	SF	M10 x 1 tapered, short	26	11	1A <sup>2</sup>	12	30
230-112-001-001C	1.0 ± 0.2	SS	M10 x 1 tapered, short	26	11	1A <sup>2</sup>	12	30
230-112-005-001C	1.0 ± 0.2	SF	M10 x 1 tapered, short	26	10	1B	12	30
230-112-001-005C	2.5 ± 0.3	SS	M10 x 1 tapered, short	26	11	1A <sup>2</sup>	12	30
230-113-001-008C	5.5 ± 0.2	SF	M12 x 1.5	39	12	2C <sup>2</sup>	10	30
230-213-001-021C	8.0 ± 0.5	SF	M10 x 1 tapered, short	39	11	2A <sup>2</sup>	25	50
230-213-001-011C	12.0 ± 0.4	SF	1/8" - 27 NPTF	39	11	2B <sup>2</sup>	18	40

<sup>1</sup>Contact chamber, vented  
<sup>2</sup>Contact chamber, unvented

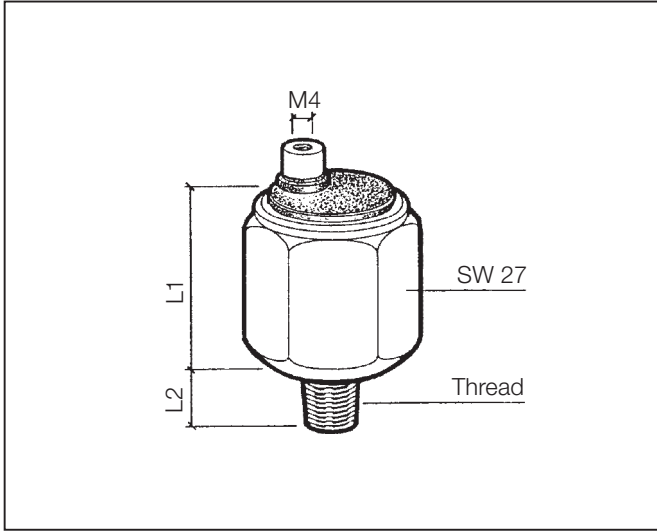
Part Number	Switch point		Thread	Dimension		Type	Measuring range	PSI
	[PSI]			L1 [mm]	L2 [mm]			
230-112-003-012C	6	SF	1/8" - 27 NPTF	26	11	1A <sup>1</sup>	12	30
230-112-001-002C	10	SS	1/8" - 27 NPTF	26	11	1A <sup>1</sup>	12	30
230-112-003-013C	10	SF	1/8" - 27 NPTF	26	11	1A <sup>1</sup>	12	30

<sup>1</sup>Contact chamber, unvented

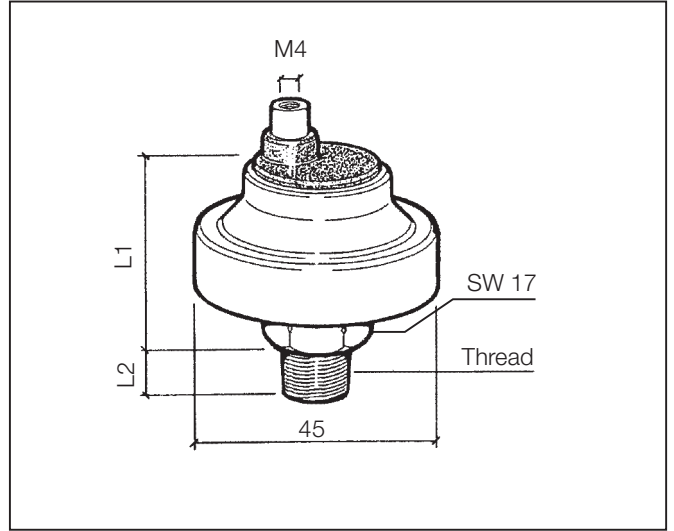
Technical data	
Rated voltage	6–24 V
Switching capacity	Max. 5 W non-inductive
Contacting mode	Slow-acting
Operating temperature	-25 °C to +120 °C
Switch point	SF = Contact closes with falling pressure SS = Contact closes with rising pressure OF = Contact opens with falling pressure OS = Contact opens with rising pressure

2.3.2 Pressure Switches | Pressure Sensor, Insulated Return

Design 1



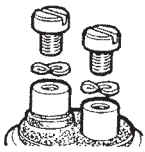
Design 2



Type of connection

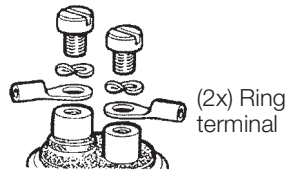
D

Insulated return  
(2x) Screws M4 x 5



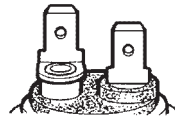
E

Insulated return  
(2x) Screws M4 x 5



F

Insulated return  
(2x) 6.3 x 0.8 mm  
Riveted (90°)



Part Number	Switch point		Thread	Dimension		Design / Type	Measuring range	bar
	[bar]			L1 [mm]	L2 [mm]			
230-112-007-005C	0.3 ± 0.15	OS	M14 x 1.5 <sup>1</sup>	24.5	12	1F <sup>3</sup>	12	30
230-112-002-001C	0.5 ± 0.2	SS	1/8" - 27 NPTF	26	11	1D <sup>3</sup>	12	30
230-112-005-006C	0.5 ± 0.2	SF	M10 x 1 tapered, short	26	11	1F	12	30
230-112-005-005C	0.8 ± 0.2	SF	M10 x 1 tapered, short	26	11	1D <sup>2</sup>	12	30
230-112-005-001C	1.0 ± 0.2	SF	M10 x 1 tapered, short	26	11	1D <sup>2</sup>	12	30
230-112-005-012C	1.2 ± 0.2	SF	M10 x 1	24.5	10.5	1F	12	30
230-112-005-011C	1.5 ± 0.2	SF	M10 x 1 tapered, short	26	11	1E <sup>2</sup>	12	30
230-112-005-003C	1.8 ± 0.2	SF	M10 x 1 tapered, short	26	11	1E <sup>2</sup>	12	30
230-112-005-004C	3.0 ± 0.4	SF	M10 x 1 tapered, short	26	11	1D <sup>2</sup>	10	30
230-213-002-004C	4.5 ± 0.3	SF	M10 x 1 tapered, short	38	11	2D <sup>2</sup>	10	30
230-213-002-001C	7.0 ± 0.3	SF	1/8" - 27 NPTF	39	11	2E <sup>2</sup>	12	30
230-213-002-003C	10.5 ± 0.3	SF	1/8" - 27 Dryseal NPTF	39	11	2F	12	30
230-213-004-002C*	12.5 ± 0.4	SS	M14 x 1.5	39	12	1F	12	40

<sup>1</sup>With sealing washer, captive  
<sup>2</sup>Contact chamber, vented  
<sup>3</sup>Contact chamber, unvented  
\*Supplied on request – limited availability

Part Number	Switch point		Thread	Dimension		Type	Measuring range	PSI
	[PSI]			L1 [mm]	L2 [mm]			
230-112-005-010C	7 ± 0.2	SF	1/8" - BSPF	26	10	1D <sup>1</sup>	12	30

<sup>1</sup>Contact chamber, vented

Technical data	
Rated voltage	6–24 V
Switching capacity	Max. 5 W non-inductive
Contacting mode	Slow-acting
Operating temperature	-25 °C to +120 °C
Switch point	SF = Contact closes with falling pressure SS = Contact closes with rising pressure OF = Contact opens with falling pressure OS = Contact opens with rising pressure