


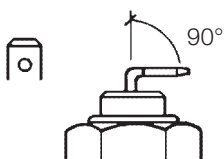
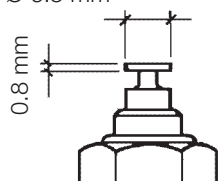
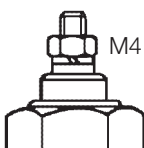


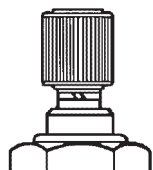
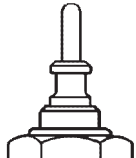
Temperature Sensors

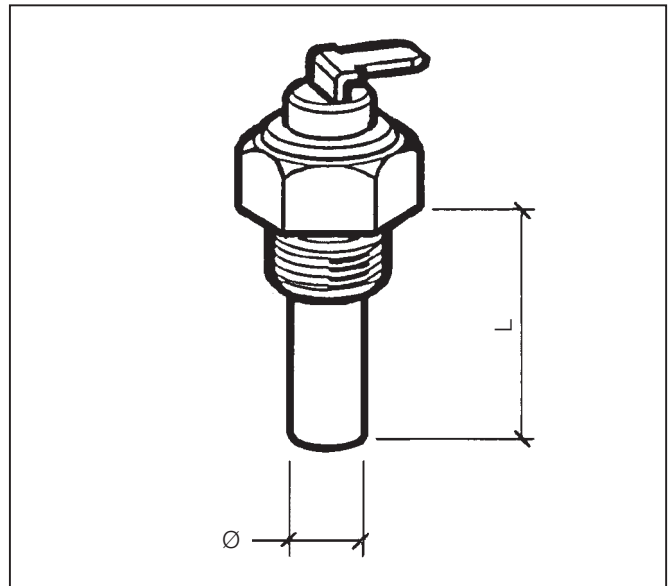
- 2.4.1 Temperature Sensor, Single-Pole, Common Ground
- 2.4.2 Temperature Sensor, Dual-Pole, Insulated Return
- 2.4.3 Temperature Sensor with Warning Contact
- 2.4.4 Temperature Sensor for Air Temperature

2.4.1 Temperature Sensors | **Temperature Sensor, Single-Pole, Common Ground**

Type of connection

A	B	C	D
<p>Single-Pole, common ground 6.3 x 0.8 mm</p> 	<p>Single-Pole, common ground 6.3 x 0.8 mm</p> 	<p>Single-Pole, common ground Ø 6.3 mm</p> 	<p>Single-Pole, common ground Hexagonal nut</p> 

E	F
<p>Single-Pole, common ground Knurled nut, M4</p> 	<p>Single-Pole, common ground Ø 4 mm</p> 



Technical data	
Type	Thermistor (NTC)
Rated voltage	6–24 V
Temperature response time	Min. 3 minutes after operating current switched on

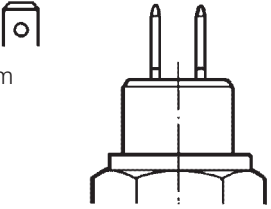
Part Number	T max.	Thread	Type	L	Ø
	[°C]			[mm]	[mm]
323-801-001-006K/N	120	M14 x 1.5	A	29	9
323-801-001-007N	120	3/8" - 18 NPTF	A	29	9
323-801-001-008N	120	5/8" - 18 UNF-3A	A	29	9
323-801-001-009N	120	1/4" - 18 NPTF	A	29	9
323-801-001-010K/N	120	1/2" - 14 NPTF	A	29	9
323-801-001-015N*	120	3/8" - 18 Dryseal NPTF	A	29	9
323-801-001-026K/N	120	M14 x 1.5	E	29	9
323-801-001-029N	120	M16 x 1.5	E	29	9
323-801-001-040B*/N	120	M16 x 1.5	A	29	9
323-801-001-054D	120	M14 x 1.5	D	29	9
323-801-001-058C	120	R 3/8" (DIN 2999, tapered)	E	29	9
323-801-005-001D	120	1/8" - 27 NPTF	C	22	8.5
323-801-005-005D	120	M10 x 1	C	22	8.5
323-801-008-002D	120	M10 x 1	D	22	8.5
323-801-017-001K/N	120	M10 x 1 tapered, short	C	10.5	8.4
323-801-020-002D	120	M14 x 1.5	F	24	9
323-804-015-005D*	120	1/8" - 27 Dryseal NPTF	C	22	8.2
323-801-028-001C	Probe: 250, hex.: 150	M14 x 1.5-6e	C	57	11.8
323-801-004-002N	150	M14 x 1.5	A	29	9
323-801-004-003D	150	R 1/2	A	29	9
323-801-004-006D	150	1/2" - 14 NPTF	D	29	9
323-801-004-007D	150	1/2" - 14 NPTF	A	29	9
323-801-004-012C	150	M16 x 1.5	E	29	9
323-801-004-017D	150	1/4" - 18 NPTF	D	29	9
323-801-004-036K*	150	M24 x 1.5	B	29	9
323-801-004-039D/K	150	M14 x 1.5	B	29	9
323-801-009-001D	150	1/8" - 27 NPTF	C	22	8.2
323-801-009-003D	150	M10 x 1 tapered, short	C	22	8.2
323-801-010-001D	150	M10 x 1.5	C	22	6.9
323-801-010-003K	150	M12 x 1.5	C	22	6.9
323-801-012-001D	150	M16 x 1.5	B	15	9
323-801-012-002D/K	150	M14 x 1.5	B	15	9
323-801-012-003D	150	M18 x 1.5	B	15	9
323-801-003-001D	200	M10 x 1.5	C	22	6.9
323-801-018-001D	200	1/8" - 27 NPTF	C	10.5	8.4
323-801-013-001D	200–230	1/8" - 27 NPTF	C	22	8.2
For dual units (identifier "D")					
*Supplied on request – limited availability					

2.4.2 Temperature Sensors | **Temperature Sensor, Dual-Pole, Insulated Return**

Type of connection

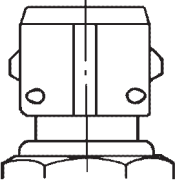
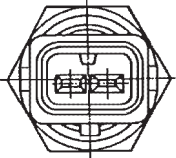
G

Insulated return
 (2x)
 6.3 x 0.8 mm

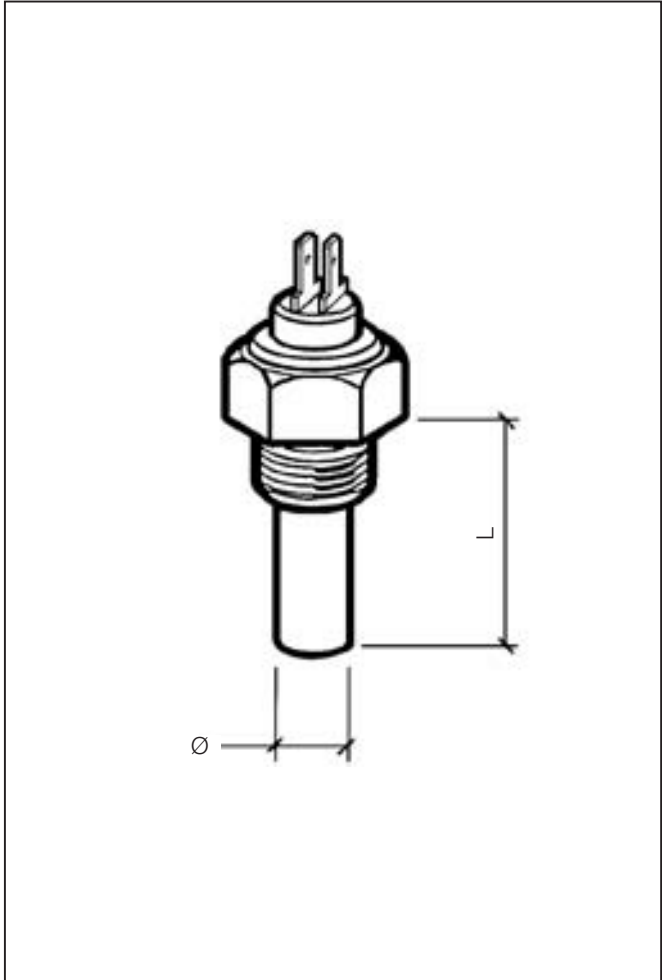


H

Insulated return
 Special push-on connector (Bosch)

(2x)
 2.8 x 0.8 mm



Part Number	T max.	Thread	Type	L	Ø
	[°C]			[mm]	[mm]
323-805-001-001K/N	120	M14 x 1.5	G	29	11
323-805-001-002C	120	5/8" - 18 UNF-2A	G	24	11
323-805-001-004K/N	120	1/2" - 14 NPTF	G	29	11
323-805-001-005N	120	3/8" - 18 Dryseal NPTF	G	29	11
323-805-001-015N	120	M18 x 1.5	G	29	9
323-805-034-002B	120	M14 x 1.5	H	29	7.5
323-805-039-001C	120	M14 x 1.5	H	29	8.5
323-805-042-001C	120	M14 x 1.5	H	29	8.5
323-808-002-003D*	120	M14 x 1.5	A (90°)	22	9
325-805-003-001C	120	1/4" - 18 NPTF	G	29	10.9
325-805-003-003C	120	3/8" - 18 NPTF	G	29	10.9
323-805-017-002C	130	M14 x 1.5		29	8.5
323-805-003-001N	150	M14 x 1.5	G	29	11
323-805-003-002N	150	1/4" - 18 NPTF	G	29	11
323-805-003-003N	150	5/8" - 18 UNF-2A with sealing cone	G	29	11
For dual units (identifier "D")					
*Supplied on request – limited availability					

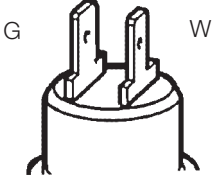
Technical data	
Type	Thermistor (NTC)
Rated voltage	6–24 V
Temperature response time	Min. 3 minutes after operating current switched on

2.4.3 Temperature Sensors | **Temperature Sensor with Warning Contact**

Type of connection

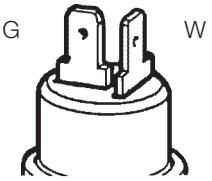
A

G = Blade connector /
6.3 x 0.8 mm
W = Blade connector /
4.8 x 0.8 mm



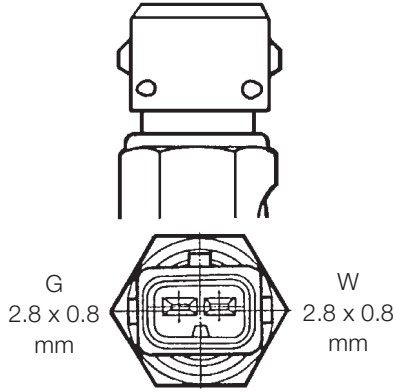
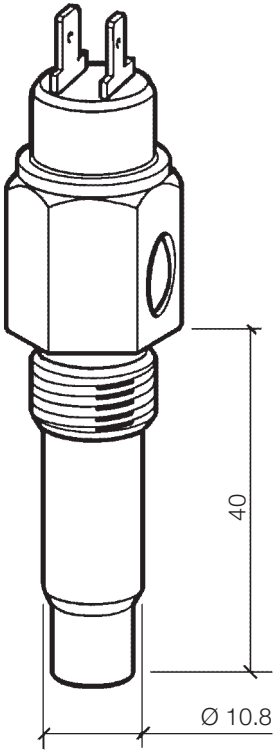
B

2-way blade connector in
T configuration
6.3 x 0.8 mm



C

Special push-on connector (Bosch)

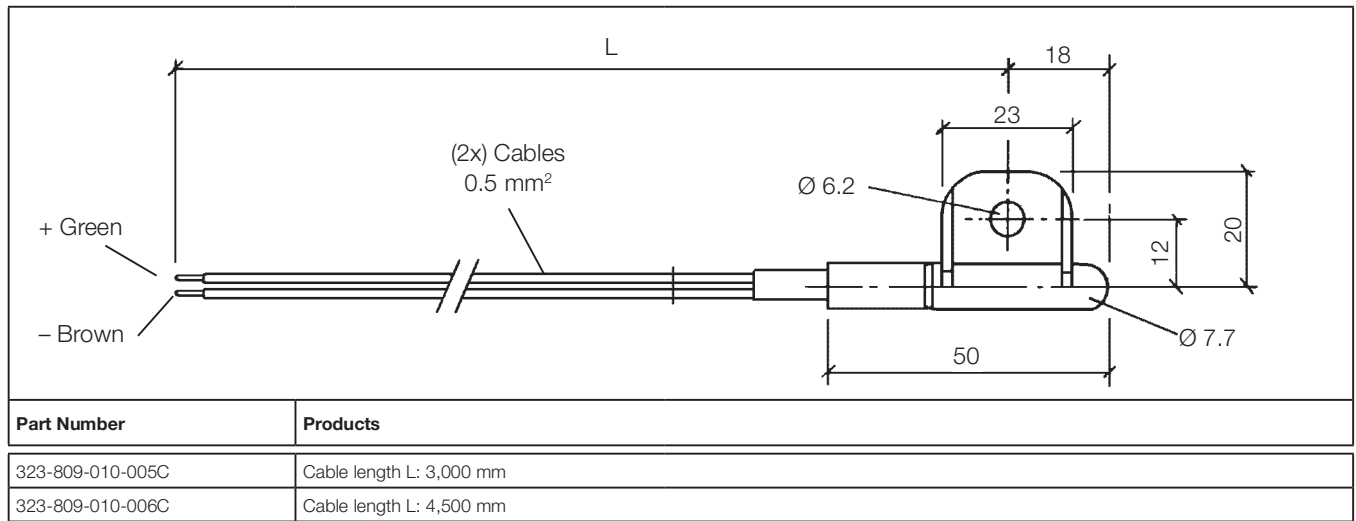



G = Sensor terminal
W = Warning contact terminal

Technical data	
Type	Thermistor (NTC)
Rated voltage	6–24 V
Temperature response time	Min. 3 minutes after operating current switched on
Switching capacity	1.2 W to 3 W, non-inductive
Switch-off point	Max. 5 °C below switch-on point
Contacting mode	Slow-acting
Contact type	Normally open
	Contact closes with rising temperature

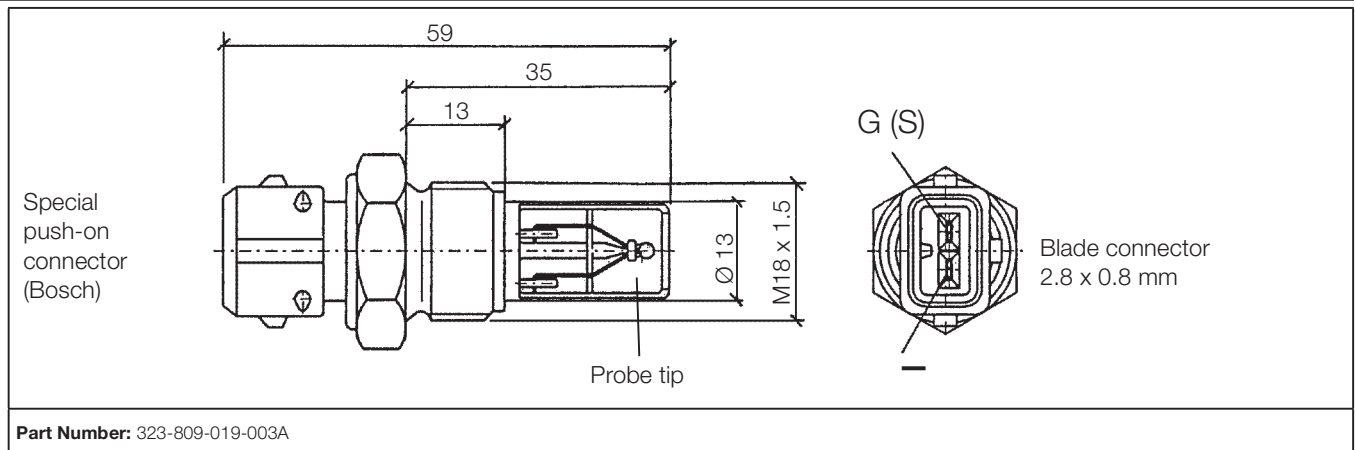
Part Number	T max.	Thread	Switch-on point	Type
	[°C]		[°C]	
323-803-001-001D	120	M14 x 1.5	100 ± 3	A
323-803-001-002D	120	5/8" - 18 NF-3	98 ± 3	A
323-803-001-004D	120	M14 x 1.5	90 ± 3	A
323-803-001-006D	120	M14 x 1.5	96 ± 3	A
323-803-001-007D	120	M14 x 1.5	110 ± 3	A
323-803-001-008D	120	M14 x 1.5	110 ± 3	A
323-803-001-009D	120	M14 x 1.5	102 ± 3	A
323-803-001-011D	120	5/8" - 18 NF-3	95 ± 3	A
323-803-001-012D	120	5/8" - 18 NF-3	100 ± 3	A
323-803-001-013D	120	M14 x 1.5	106 ± 3	A
323-803-001-016D	120	M14 x 1.5	94 ± 3	A
323-803-001-019D	120	1/2" - 14 NPTF	95 ± 3	A
323-803-001-020D	120	M14 x 1.5	115 ± 3	A
323-803-001-022D	120	M14 x 1.5	118 ± 3	A
323-803-001-023D	120	M14 x 1.5	80 ± 3	A
323-803-001-025D	120	1/2" - 14 NPTF	103 ± 3	A
323-803-001-028D	120	M14 x 1.5	98 ± 3	A
323-803-001-030D	120	1/2" - 14 NPTF	100 ± 3	A
323-803-001-032D	120	1/2" - 14 NPTF	108 ± 3	A
323-803-001-036D	120	5/8" - 18 NF-3	103 ± 3	A
323-803-001-059D	120	5/8" - 18 NF-3	105 ± 3	A
323-803-001-060D	120	1/2" - 14 NPTF	105 ± 3	A
323-803-001-062C*	120	1/2" - 14 NTPF	114 ± 3	A
323-803-001-064C	120	M14 x 1.5	112 ± 3	A
323-803-004-001D	120	M14 x 1.5	100 ± 2.5	B
323-803-004-002D	120	M14 x 1.5	105 ± 3	B
323-803-004-003D	120	M14 x 1.5	95 ± 2.5	B
323-803-004-007D	120	M14 x 1.5	100 ⁺⁶	B
323-803-004-009D*	120	5/8" - 18 NF-3	105 ± 3	B
323-803-004-011D	120	M14 x 1.5	105 ± 3	A (90°)
323-803-002-002D	150	M14 x 1.5	120 ± 3	A
323-803-002-007D	150	M14 x 1.5	130 ± 3	A
323-803-002-010C	150	M14 x 1.5	135 ± 3	A
323-803-002-016D	150	M14 x 1.5	130 ± 3	A
323-803-002-017D	150	M14 x 1.5 ¹	120 ± 3	A
323-803-002-019D	150	M14 x 1.5	135 ± 3	A
323-803-002-020D	150	M14 x 1.5	110 ± 3	A
323-803-006-002C	150	M14 x 1.5	130 ± 4	B
323-803-014-002D	150	M14 x 1.5	130 ± 3	A
323-803-014-007C	150	M14 x 1.5 ¹	108 ± 3	D
¹ With sealing ring, captive				
*Supplied on request – limited availability				

2.4.4 Temperature Sensors | **Temperature Sensor for Air Temperature**



Technical data	
Type	Thermistor (NTC), insulated return
Rated voltage	6–24 V
Operating temperature	-40 °C to +85 °C max.
Temperature response time	Min. 3 minutes after operating current switched on

With probe tip



Technical data	
Type	Thermistor (NTC), insulated return
Rated voltage	6–24 V
Operating temperature	-40 °C to +150 °C max. at probe tip
Temperature response time	Min. 3 minutes after operating current switched on