



# Pressure Sensors

2.2.1 Pressure Sensor, Single-Pole,  
Common Ground

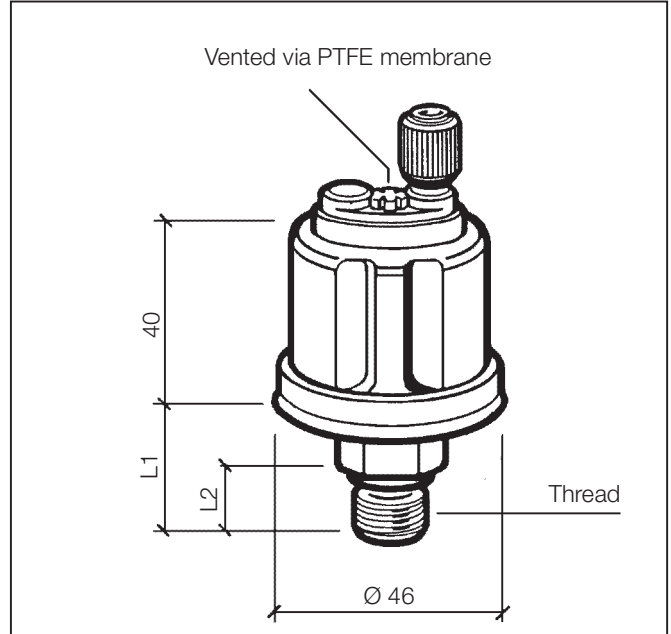
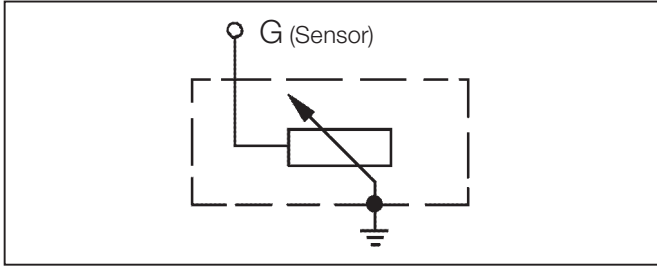
2.2.2 Pressure Sensor with Warning Contact,  
Common Ground

2.2.3 Pressure Sensor, Insulated Return

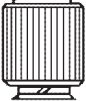




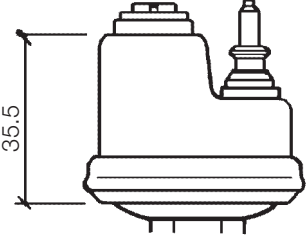
2.2.4 Pressure Sensor with Warning Contact,  
3 Connections

2.2.1 Pressure Sensors | **Pressure Sensor, Single-Pole, Common Ground**

**Circuit diagram**



**Type of connection**

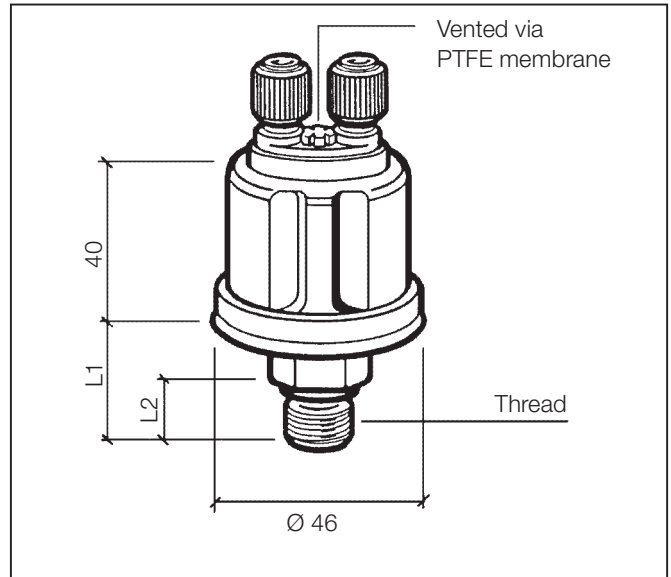
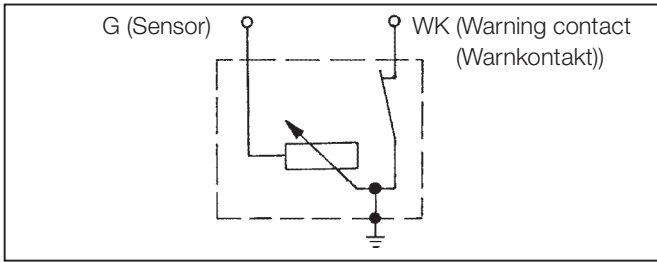
A	B	C	D	E
<p>Knurled nut</p> <p>M4</p> 	<p>Hexagonal nut</p>  M4	<p>6.3 x 0.8 mm</p> <p>50°</p>  M4	<p>6.3 x 0.8 mm</p> <p>90°</p>  M4	<p>Connector pin Ø 4 mm</p>  M4
<b>F</b>				
 <p>Connector pin Ø 4 mm</p> <p>35.5</p>				

Part Number	Measuring range	Thread	Dimension		Type	bar
			L1 [mm]	L2 [mm]		
	[bar]					[ max. 2 sec.]
360-081-029-087C	3	M12 x 1.5	20.5	12	E	30
360-081-052-003C	3	M12 x 1.5	20.5	12	F	30
360-081-029-001C/K/B	5	M10 x 1 tapered, short	19.5	11	A	30
360-081-029-004C/B	5	1/8" - 27 NPTF	19.5	11	A	30
360-081-029-008C	5	1/4" - 18 NPTF	23.8	15.3	A	30
360-081-029-025C/K**	5	M18 x 1.5 <sup>1</sup>	20.5	12	A	30
360-081-029-026C/K	5	M14 x 1.5	20.5	12	A	30
360-081-029-041C	5	1/8" - 27 NPTF	19.5	11	D	30
360-081-029-059C	5	M18 x 1.5 <sup>1</sup>	20.5	12	B	30
360-081-029-065C	5	M14 x 1.5	25.5	12	B	30
360-081-029-085C	5	M12 x 1.5	20.5	12	A	30
360-081-029-099C**	5	M12 x 1.25	19.5	10	A	30
360-081-029-010C/K	10	M10 x 1 tapered, short	19.5	11	A	30
360-081-029-012C/K	10	1/8" - 27 NPTF	19.5	11	A	30
360-081-029-013C/K	10	M12 x 1.5	20.5	12	A	30
360-081-029-020C	10	1/4" - 18 NPTF	23.8	15.3	A	30
360-081-029-033C	10	M14 x 1.5	20.5	12	A	30
360-081-029-038C	10	M14 x 1.5	20.5	12	C	30
360-081-029-042C	10	1/8" - 27 NPTF	19.5	11	C	30
360-081-029-062C	10	R 1/8 DIN 2999	19.5	11	C	30
360-081-037-006C	16	M14 x 1.5	20.5	12	B <sup>2</sup>	40
360-081-037-007C	16	1/8" - 27 NPTF <sup>3</sup>	20.5	12	D	40
360-081-037-019C	16	M12 x 1.5	20.5	12	B	40
360-081-037-003C	25	M18 x 1.5	20.8	12	D	50
360-081-037-008C	25	M10 x 1 tapered, short	19.5	11	C	50
360-081-037-010C	25	1/8" - 27 NPTF	19.5	11	D	50
360-081-037-011C	25	M10 x 1 tapered, short <sup>3</sup>	19.5	11	C	50
360-081-037-013C	25	M14 x 1.5	20.5	12	D	50
360-081-037-017C	25	M14 x 1.5	20.5	12	D	50
360-081-037-018C	25	M18 x 1.5	20.5	12	D	50
For dual units (identifier "D")						
362-081-003-002K*	10	1/8" - 27 NPTF	19.5	11	C	30
362-081-004-001C*	25	1/8" - 27 NPTF	19.5	11	C	50
<sup>1</sup> With sealing washer, captive <sup>2</sup> Without M4 hexagonal nut <sup>3</sup> With restrictor  *Half characteristic map values **Supplied on request – limited availability						

Technical data	
Rated voltage	6–24 V
Operating temperature	-25 °C to +100 °C
Resistor range	10 Ω to 184 Ω

2.2.2 Pressure Sensors | **Pressure Sensor with Warning Contact, Common Ground**

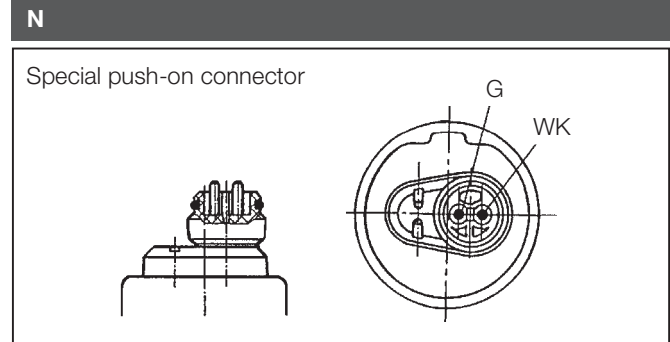
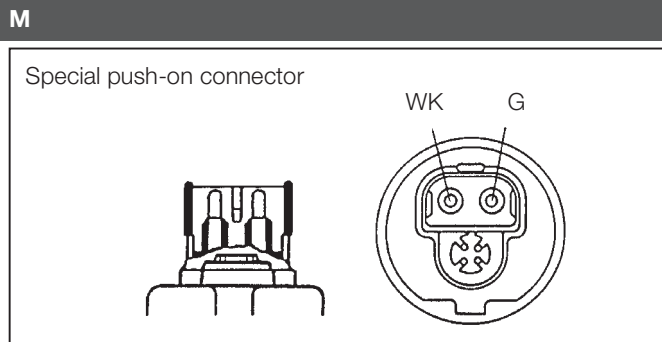
**Circuit diagram**



**Type of connection**

<p><b>A</b></p> <p>(2x) Knurled nut, M4</p> <p>M4</p>	<p><b>B</b></p> <p>(2x) 6.3 x 0.8 mm (50°)</p> <p>M4</p>	<p><b>C</b></p> <p>WK 6.3 x 0.8 mm (50°) G 4.8 x 0.8 mm (50°)</p> <p>M4</p>	<p><b>D</b></p> <p>WK 4.8 x 0.8 mm (50°) G 6.3 x 0.8 mm (50°)</p> <p>M4</p>
<p><b>E</b></p> <p>(2x) Hexagonal nut, M4</p> <p>M4</p>	<p><b>F</b></p> <p>WK 6.3 x 0.8 mm (90°) G M4</p> <p>M4</p>	<p><b>G</b></p> <p>G 6.3 x 0.8 mm (50°)</p> <p>M4</p>	<p><b>H</b></p> <p>(2x) 6.3 x 0.8 mm</p> <p>M4</p>
<p><b>J</b></p> <p>WK 4.8 x 0.8 mm (90°) G 6.3 x 0.8 mm (90°)</p> <p>M4</p>	<p><b>K</b></p> <p>WK 6.3 x 0.8 mm (90°) G 4.8 x 0.8 mm (90°)</p> <p>M4</p>	<p><b>L</b></p> <p>Hexagonal nut, M5</p> <p>M5</p>	

Type of connection



Part Number	Measuring range [bar]	Thread	Warning contact [bar]	Dimension		Type	bar [max. 2 sec.]
				L1 [mm]	L2 [mm]		
360-081-030-001C/K	5	M10 x 1 tapered, short	0.25 ± 0.15	19.5	11	A	30
360-081-030-002C/K	5	M10 x 1 tapered, short	0.5 ± 0.15	19.5	11	A	30
360-081-030-004C	5	M10 x 1 tapered, short	0.7 ± 0.15	19.5	11	A	30
360-081-030-008C	5	M12 x 1.5	0.5 ± 0.15	20.5	12	A	30
360-081-030-010C	5	1/8" - 27 NPTF	1.4 ± 0.3	19.5	11	A	30
360-081-030-014C	5	M10 x 1 tapered, short	0.6 ± 0.15	19.5	11	A	30
360-081-030-018C	5	M10 x 1 tapered, short	1.2 ± 0.15	19.5	11	A	30
360-081-030-025C	5	M18 x 1.5 <sup>1</sup>	0.4 ± 0.2	20.5	12	B	30
360-081-030-028C/K	5	M14 x 1.5	0.5 ± 0.15	20.5	12	A	30
360-081-030-033C	5	M14 x 1.5 <sup>1</sup>	0.4 ± 0.1	20.5	12	F	30
360-081-030-036C/K	5	M18 x 1.5 <sup>1</sup>	0.5 ± 0.15	20.5	12	A	30
360-081-030-049C/K	5	1/8" - 27 NPTF	0.4 ± 0.1	19.5	11	A	30
360-081-030-053C	5	M18 x 1.5 <sup>4</sup>	0.25 ± 0.15	20.5	12	B	30
360-081-030-065K	5	R 1/8 DIN 2999	0.4 ± 0.15	19.5	11	B	30
360-081-030-071C	5	M14 x 1.5 <sup>1</sup>	0.4 ± 0.15	20.5	12	F	30
360-081-030-085C	5	M18 x 1.5 <sup>1</sup>	0.4 <sup>+0.2</sup>	20.5	12	C	30
360-081-030-086C	5	1/8" - 27 NPTF	0.5 <sup>+0.2</sup> -0.1	19.5	11	C	30
360-081-030-097C	5	M14 x 1.5	0.5 ± 0.15	20.5	12	B	30
360-081-030-119C	5	1/8" - 27 NPTF	1.4 ± 0.3	19.5	11	H	30
360-081-030-157C	5	M18 x 1.5 <sup>1</sup>	0.5 <sup>+0.15</sup>	20.5	12	F	30
360-081-034-002C	5	M14 x 1.5	0.25 ± 0.15	20.5	12	L	30
360-081-034-004C	5	M18 x 1.5	0.25 ± 0.15	20.5	12	L	30
360-081-062-002A	5	M14 x 1.5 <sup>1</sup>	0.4 <sup>+0.2</sup>	20.5	12	N	30
360-081-062-004A	5	M14 x 1.5 <sup>1</sup>	1.0 <sup>+0.2</sup>	20.5	12	N	30
360-081-030-154C*	7	1/8" - 27 NPTF	0.7 ± 0.15	19.5	10	L	30
360-081-030-009C/K	10	M10 x 1 tapered, short	0.5 ± 0.15	19.5	11	A	30
360-081-030-015C	10	1/8" - 27 NPTF	0.8 ± 0.3	19.5	12	A	30
360-081-030-017C	10	M10 x 1 tapered, short	0.9 ± 0.15	19.5	11	A	30
360-081-030-019C	10	M12 x 1.5	1.5 ± 0.15	20.5	12	A	30
360-081-030-022C	10	M12 x 1.5	0.5 ± 0.15	20.5	12	A	30
360-081-030-030C	10	M14 x 1.5	0.7 ± 0.15	20.5	12	A	30
360-081-030-031C	10	M10 x 1 tapered, short	0.5 ± 0.15	19.5	11	B	30
360-081-030-032C	10	M14 x 1.5	0.5 ± 0.15	20.5	12	A	30
360-081-030-037C	10	M18 x 1.5 <sup>1</sup>	0.75 ± 0.15	20.5	12	A	30
360-081-030-039C	10	M10 x 1 tapered, short	0.75 ± 0.15	19.5	11	B	30

Part Number	Measuring range	Thread	Warning contact	Dimension		Type	bar
				L1 [mm]	L2 [mm]		
	[bar]		[bar]				[ max. 2 sec.]
360-081-030-041C	10	M10 x 1 tapered, short	2.0 ± 0.3	19.5	11	A	30
360-081-030-052C	10	1/8" - 27 NPTF	0.5 <sup>+0.2</sup> <sub>-0.1</sub>	19.5	11	A	30
360-081-030-063C	10	M14 x 1.5	1.0 ± 0.15	20.5	12	B	30
360-081-030-070C	10	M18 x 1.5 <sup>1</sup>	0.5 ± 0.15	20.5	12	B	30
360-081-030-074C	10	M18 x 1.5 <sup>1</sup>	0.5 ± 0.15	20.5	12	A	30
360-081-030-075C	10	M14 x 1.5	5.0 ± 0.3	20.5	12	H	30
360-081-030-078C	10	M14 x 1.5	1.0 ± 0.15	20.5	12	E <sup>2</sup>	30
360-081-030-100C	10	1/8" - 27 NPTF	4.0 <sup>+0.5</sup>	19.5	11	B	30
360-081-030-107C	10	M16 x 1.5	5.5 ± 0.3	20.5	12	D	30
360-081-030-112C	10	M10 x 1 <sup>1</sup>	1.35 ± 0.15	18.5	10	K	30
360-081-030-122C	10	M18 x 1.5 <sup>1</sup>	0.75 ± 0.15	20.5	12	D	30
360-081-030-138C	10	1/8" - 27 NPTF	1.25 <sup>-0.3</sup>	19.5	11	J	30
360-081-030-152C	10	M10 x 1 tapered, short	5.2 ± 0.5	19.5	11	H	30
360-081-061-002C	10	M14 x 1.5	0.7 ± 0.15	20.5	12	M	30
360-081-061-003C	10	M14 x 1.5	1.0 ± 0.15	20.5	12	M	30
360-081-061-006C	10	M12 x 1.5 tapered, short	5.0 ± 0.3	21.5	13	M	30
360-081-062-003C	10	M14 x 1.5 <sup>1</sup>	5.5 ± 0.3	20.5	12	N	30
360-081-062-005A	10	M14 x 1.5	3.0 ± 0.3	20.5	12	N	30
360-081-053-001C	25	1/8" - 27 NPTF <sup>3</sup>	15.5 <sup>+1.5</sup> <sub>-0.5</sub>	19.5	11	J	50
360-081-053-003C	25	M18 x 1.5	5.5 <sup>+1.0</sup> <sub>-0.5</sub>	20.5	12	E	50
360-081-053-004C	25	1/8" - 27 NPTF <sup>3</sup>	14.5 <sup>+1.5</sup> <sub>-0.5</sub>	19.5	11	B	50

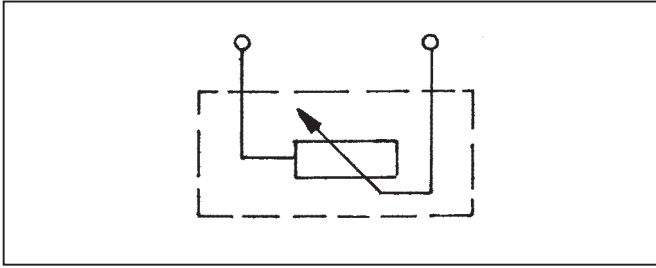
<sup>1</sup> With sealing washer, captive  
<sup>2</sup> Without M4 hexagonal nut  
<sup>3</sup> With restrictor  
<sup>4</sup> With attachment plate  
\*Supplied on request – limited availability

Part Number	Measuring range	Thread	Warning contact	Dimension		Type	bar
				L1 [mm]	L2 [mm]		
	[PSI]		[PSI]				[max. 2 sec.]
360-081-030-020C	80	1/4" - 18 NPTF	8 ± 2	23.8	15.3	A	30
360-081-030-023C	80	1/8" - 27 NPTF	6 ± 2	19.5	11	A	30

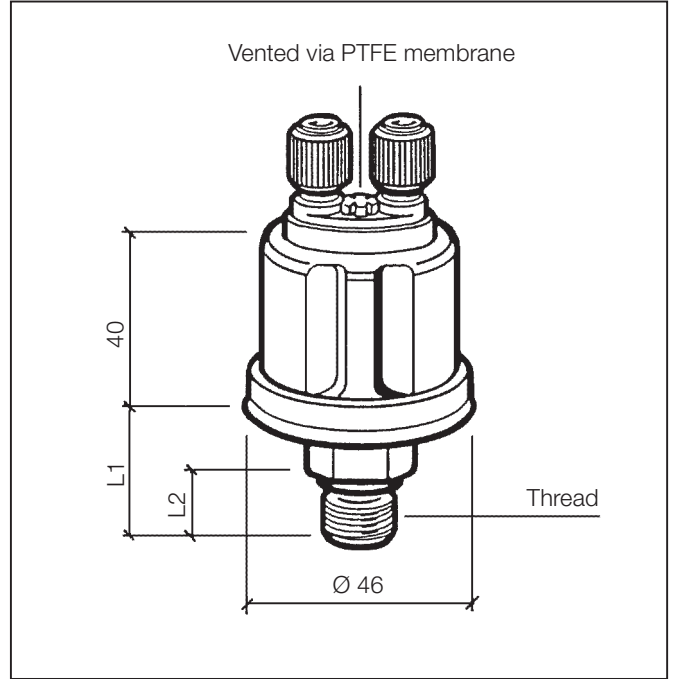
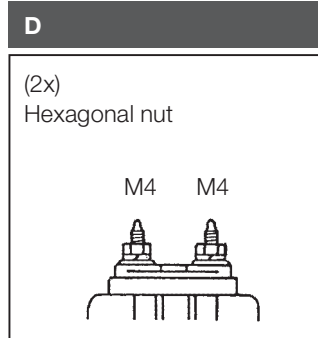
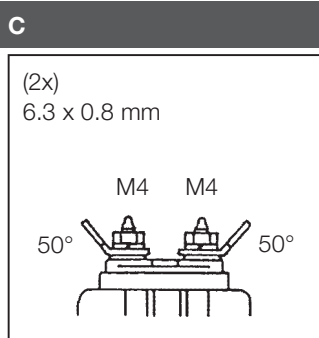
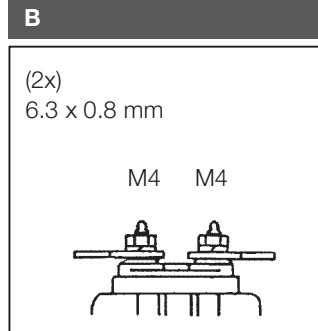
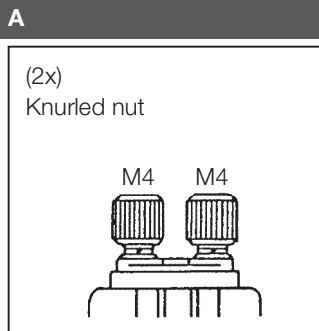
Technical data	
Rated voltage	6–24 V
Warning contact	Closes with falling pressure
Switching capacity of warning contact	Max. 5 W non-inductive
Operating temperature	-25 °C to +100 °C
Resistor range	10 Ω to 184 Ω

2.2.3 Pressure Sensors | Pressure Sensor, Insulated Return

Circuit diagram



Type of connection



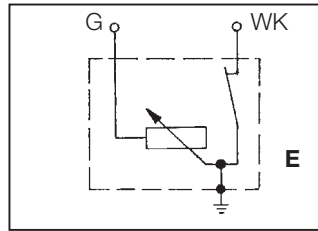
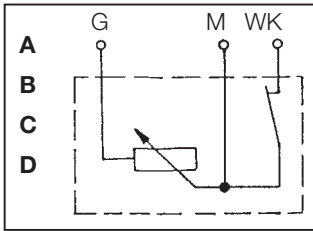
Part Number	Measuring range	Thread	Dimension		Type	bar
			L1 [mm]	L2 [mm]		
	[bar]					[max. 2 sec.]
360-081-032-011C	2	M12 x 1.5	20.5	12	C	30
360-081-032-025C	2	1/8" - 27 NPTF	19.5	11	C	30
360-081-032-058C	2	M18 x 1.5	20.5	12	A	30
360-081-032-001C	5	1/8" - 27 NPTF	19.5	11	A	30
360-081-032-002C	5	M10 x 1 tapered, short	19.5	11	A	30
360-081-032-007C	5	1/8" - 27 NPTF	19.5	11	B	30
360-081-032-013C	5	M18 x 1.5	20.8	12	A	30
360-081-032-016C	5	1/4" - 18 NPTF	23.8	15.3	A	30
360-081-032-059C	5	M18 x 1.5	20.5	12	D <sup>1</sup>	30
360-081-032-060C	5	M14 x 1.5	20.5	12	D <sup>1</sup>	30
360-081-032-003C	10	M10 x 1 tapered, short	19.5	11	A	30
360-081-032-004C	10	M12 x 1.5	20.5	12	A	30
360-081-032-006C	10	M14 x 1.5	20.5	12	A	30
360-081-032-008C	10	M18 x 1.5	20.5	12	A	30
360-081-032-014C	10	1/8" - 27 NPTF	19.5	11	A	30
360-081-032-053C	10	M12 x 1.5	20.5	12	A	30
360-081-032-057C	10	R1/8 DIN 2999	40	10	A	30
360-081-038-014C	16	M14 x 1.5	20.5	12	D <sup>1</sup>	30
360-081-038-001C	25	M14 x 1.5	20.5	12	D	50
360-081-038-002C	25	3/8" - 18 Dryseal NPTF	23.8	15.3	B	50
360-081-038-003C	25	1/8" - 27 NPTF	19.5	11	D	50
360-081-038-005C	25	M18 x 1.5	20.5	12	A	50
360-081-038-008C	28	1/8" - 27 NPTF	19.5	11	A	50
For dual units (identifier "D")						
362-081-001-001K*	5	1/8" - 27 NPTF	19.5	11	B	30
362-081-001-002C/K*	10	1/8" - 27 NPTF	19.5	11	B	30
362-081-002-001K*	25	1/8" - 27 NPTF	19.5	11	B	50
362-081-002-003C*	28	1/8" - 27 NPTF	19.5	11	A	50
362-081-002-004C*	28	1/8" - 27 NPTF	19.5	11	D	50
*Half characteristic map values						
<sup>1</sup> Without M4 hexagonal nut						

Technical data	
Rated voltage	6–24 V
Operating temperature	-25 °C to +100 °C
Resistor range	10 Ω to 184 Ω



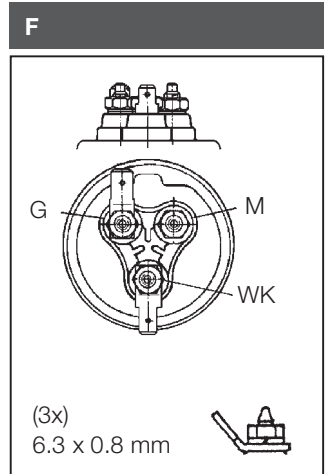
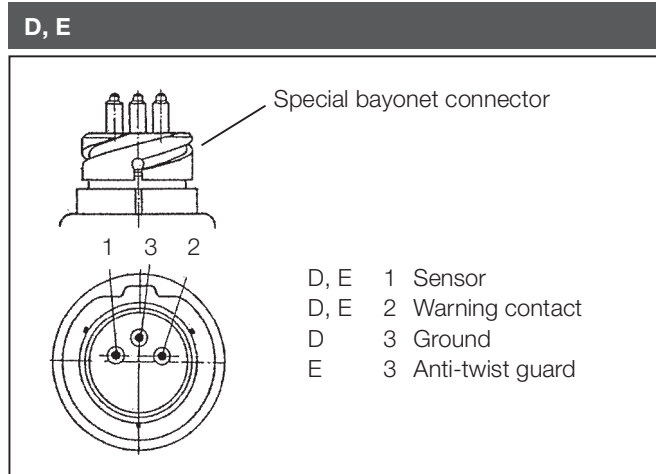
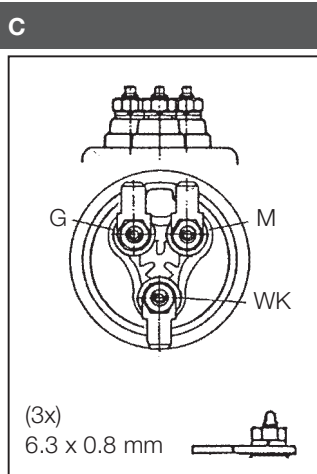
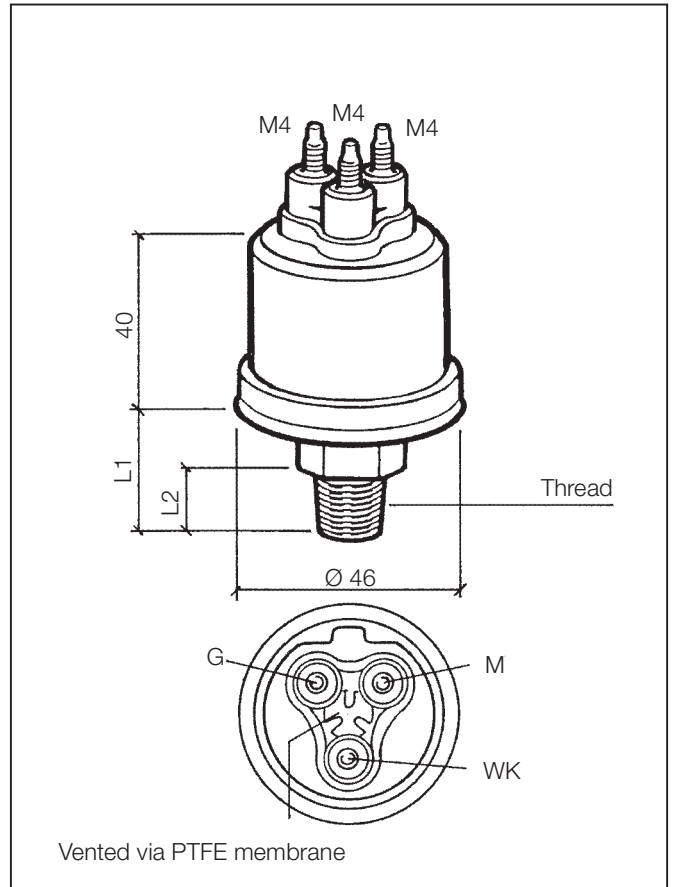
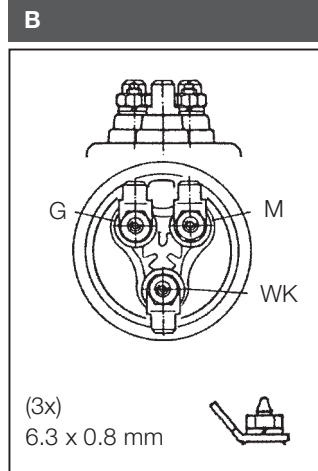
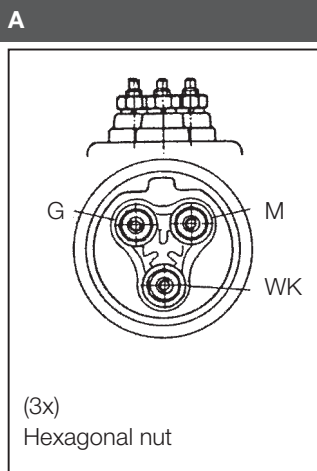
2.2.4 Pressure Sensors | **Pressure Sensor with Warning Contact (3 Connections)**

**Circuit diagram**



G = Sensor  
 M = Ground (Masse)  
 WK = Warning contact (Warnkontakt)

**Type of connection**



Part Number	Measuring range	Thread	Warning contact	Dimension		Type	bar
				L1 [mm]	L2 [mm]		
	[bar]		[bar]				[max. 2 sec.]
360-081-039-002C	5	1/8" - 27 Dryseal NPTF	0.8 ± 0.15	19.5	11	B	30
360-081-039-015C	5	1/8" - 27 Dryseal NPTF	0.25 <sup>+0.15</sup>	19.5	11	B	30
360-081-064-001C	5	M18 x 1.5	0.25 <sup>+0.15</sup>	20.5	12	E	30
360-081-064-003C	5	M18 x 1.5	0.25 ± 0.15	20.5	12	D, E	30
360-081-039-003C	10	1/8" - 27 Dryseal NPTF	0.8 ± 0.15	19.5	11	B	30
360-081-039-007C	10	M14 x 1.5	1.0 ± 0.15	20.5	12	A <sup>1</sup>	30
360-081-039-008C*	10	M14 x 1.5	5.0 ± 0.3	20.5	12	F	30
360-081-063-001C	10	M12 x 1.5	5.2 ± 0.3	20.5	12	D	30
360-081-064-004C	10	M18 x 1.5	0.6 <sup>+0.3</sup>	20.5	12	E	30

\*Supplied on request – limited availability

Part Number	Measuring range	Thread	Warning contact	Dimension		Type	bar
				L1 [mm]	L2 [mm]		
	[PSI]		[PSI]				[ max. 2 sec.]
360-081-039-004C	80	1/8" - 27 Dryseal NPTF	10 ± 2	19.5	11	C	30

<sup>1</sup>Without M4 hexagonal nut

Technical data	
Rated voltage	6–24 V
Warning contact	Closes with falling pressure
Switching capacity of warning contact	Max. 5 W non-inductive
Operating temperature	-25 °C to +100 °C
Resistor range	10 Ω to 184 Ω